

PART NUMBER

**SSR-180-54-1**



SCAN HERE: To watch a video of this installation



**BEFORE YOU BEGIN**

**PRIMARY APPLICATIONS**

- > Ford F53 4 X 2  
(2011 - present)
- > Ford F53 4 X 2  
(2006 - 2009)

**THIS APPLICATION FITS THE FOLLOWING 20K-22K GVWR MODELS:**

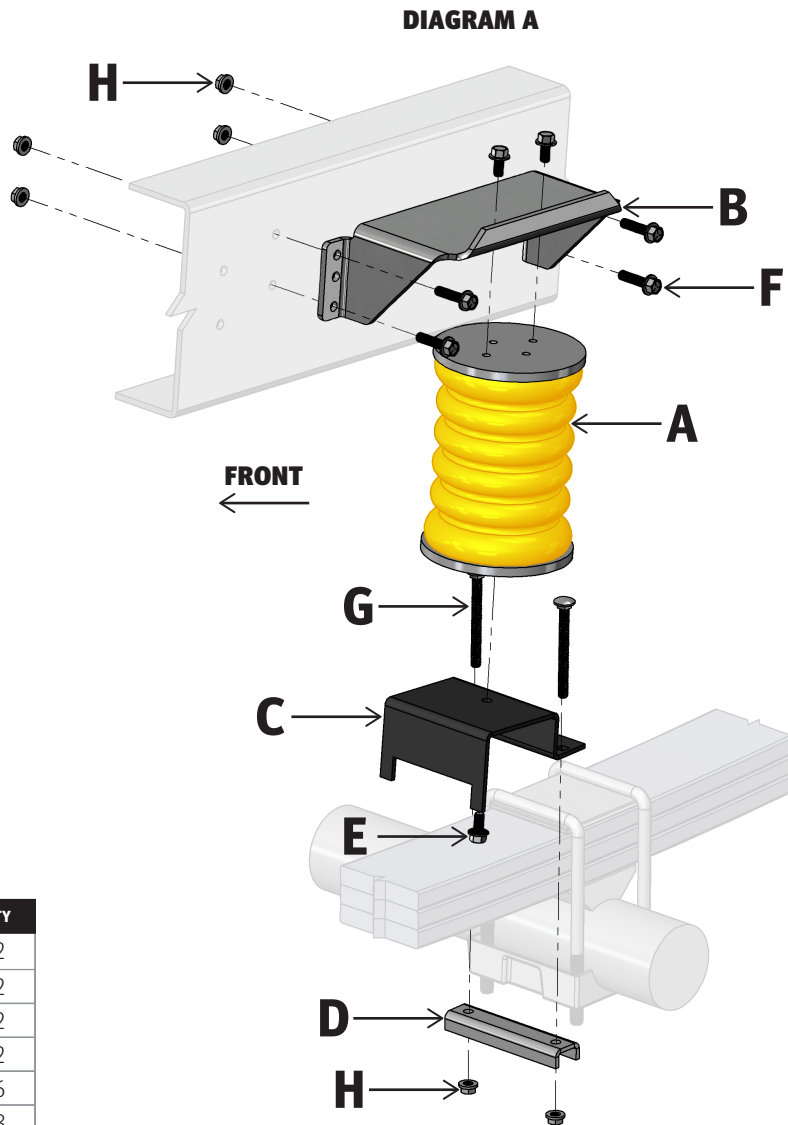
- > Coachmen
- > Holiday Rambler
- > Jayco
- > Tiffin
- > Winnebago

**TOOLS REQUIRED**

- > Floor Jack
- > Jack Stands
- > Wheel Chocks
- > 9/16" Wrench
- > Drill & 3/8" Drill Bit

**PARTS LIST**

Item	Part #	Description	QTY
A	511401	SumoSprings Yellow -54	2
B	512037	Upper Mounting Bracket	2
C	512108	Lower Mounting Bracket	2
D	512042	U-Bracket Strap	2
E	512207	3/8-16 x 3/4" Serrated Flange Hex Bolt	6
F	512301	3/8-16 x 1 1/2" Serrated Flange Hex Bolt	8
G	512247	3/8-16 x 4" Carriage Bolts	4
H	512302	3/8-16 Top Lock Flange Nuts	12



**DRIVER SIDE (PASSENGER SIDE SIMILAR)**

**Part Number: SSR-180-54-1**

**Product Line: SUMOSPRINGS REAR**

**Page 1**

Questions or Concerns?

Scan here:



or visit:  
[superspringsinternational.com](http://superspringsinternational.com)

**SAFETY NOTICE:** We recommend installation be done by a professional or persons with sound mechanical knowledge.

**WARNING:** These instructions are a general guide for installation. SuperSprings International (SSI) assumes no liability for the actual installation process. Consumers and installers should apply common automotive safety practices when raising and working on any vehicle. **Do not put yourself in a position where, if the vehicle were to move unexpectedly, you may be injured.** SSI's products are designed to improve vehicle ride quality. Do not load any vehicle beyond the manufacturer's specifications.

Never exceed the manufacturer's Gross Vehicle Rating (GVWR) located on your vehicles identification tag.

**BEFORE INSTALLATION:** Ensure the vehicle is on a hard level surface, the parking brake is ON, with the ignition OFF, and place chocks in front of and behind the tires to prevent the vehicle from moving.

**DURING AND/OR AFTER INSTALLATION:** Ensure emergency brake cables are not touching the SSI products. Secure any cables out of the way with zip ties or by re-routing. Ensure all A/C lines, brake cables, and frame are clear of contact or interference.

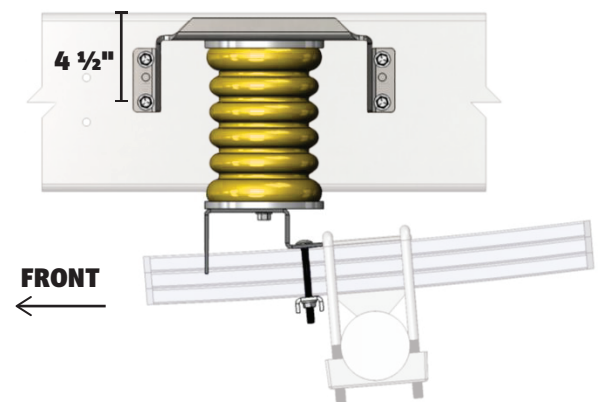
PART NUMBER

**SSR-180-54-1**



**INSTALLATION**

1. Park vehicle on a hard, level surface and engage emergency brake. Place chocks in front and behind front wheels to prevent rolling. Observe all safety precautions and wear safety glasses.
2. Raise rear of vehicle allowing the axle to hang freely. Support the frame using safety jack stands. Removal of the rear wheels is optional.
3. Attach Upper Mounting Bracket [ITEM B] to the top of the SumoSpring [ITEM A] using two 3/8-16 x 3/4" Serrated Flange Hex Bolts [ITEM E]. Attach the Lower Mounting Bracket [ITEM C] to the bottom of the SumoSpring using one 3/8-16 x 3/4" Serrated Flange Hex Bolt [ITEM E] as in Diagram A.
4. Insert two 3/8-16 x 4" Carriage Bolts [ITEM G] into the two square openings in the Lower Mounting Bracket [ITEM C] in such a way that they straddle the factory spring-pack. Position the Lower Mounting Bracket so that the shorter end down-stand fingers capture the factory u-bolt [DIAGRAM B].
5. Secure the Lower Mounting Bracket [ITEM C] to the factory spring-pack using the U-Bracket Strap [ITEM D] the two Carriage Bolts [ITEM G], two 5/16" Washers [ITEM H], and two 3/8-16 Top-Lock Nuts [ITEM H].
6. Repeat steps 3 through 5 on the opposite side of the vehicle.
7. Jack up the vehicle axle until the Upper Mounting Bracket [ITEM B] is in correct position on frame. Position the bracket so the two lower holes are 4.5" down from the top of the frame. Using the bracket as a template, drill the lower mounting holes through the frame with a 3/8" drill bit. **IMPORTANT NOTE:** Make sure there is clearance on all cables/service lines inside the frame prior to drilling.
8. Insert two 3/8-16 x 1 1/2" Hex Bolts [ITEM F] into the lower holes and secure with two 3/8-16 Top Lock Nuts [ITEM H]. Torque to 30 ft. lbs.
9. Using the Upper Mounting Bracket [ITEM B] holes as a guide, drill two upper holes using a 3/8" drill bit. **IMPORTANT NOTE:** Make sure there is clearance on all cables/service lines inside the frame prior to drilling.
10. Insert two 3/8-16 x 1 1/2" Hex Bolts [ITEM F] into the upper holes and secure with two 3/8-16 Top Lock Nuts [ITEM H]. Torque to 30 ft. lbs.
11. Repeat steps 7 through 10 on the opposite side of the vehicle.
12. Carefully lower vehicle. Remove the chocks in front and back of the front wheels.
13. Register the warranty for your SuperSprings International part. A warranty card can be found in the box your part came in.



**Part Number: SSR-180-54-1**

**Product Line: SUMOSPRINGS REAR**

**Page 2**

Questions or Concerns?

Scan here:



or visit:  
[superspringsinternational.com](http://superspringsinternational.com)

**SAFETY NOTICE:** We recommend installation be done by a professional or persons with sound mechanical knowledge.

**WARNING:** These instructions are a general guide for installation. SuperSprings International (SSI) assumes no liability for the actual installation process. Consumers and installers should apply common automotive safety practices when raising and working on any vehicle. **Do not put yourself in a position where, if the vehicle were to move unexpectedly, you may be injured.** SSI's products are designed to improve vehicle ride quality. Do not load any vehicle beyond the manufacturer's specifications.

**Never exceed the manufacturer's Gross Vehicle Rating (GVWR) located on your vehicles identification tag.**

**BEFORE INSTALLATION:** Ensure the vehicle is on a hard level surface, the parking brake is ON, with the ignition OFF, and place chocks in front of and behind the tires to prevent the vehicle from moving.

**DURING AND/OR AFTER INSTALLATION:** Ensure emergency brake cables are not touching the SSI products. Secure any cables out of the way with zip ties or by re-routing. Ensure all A/C lines, brake cables, and frame are clear of contact or interference.

REV 2.01 | SEP 2023