

PART NUMBER

SSR-133-40-2/47-2



SCAN HERE: To watch a video of this installation



BEFORE YOU BEGIN

PRIMARY APPLICATIONS

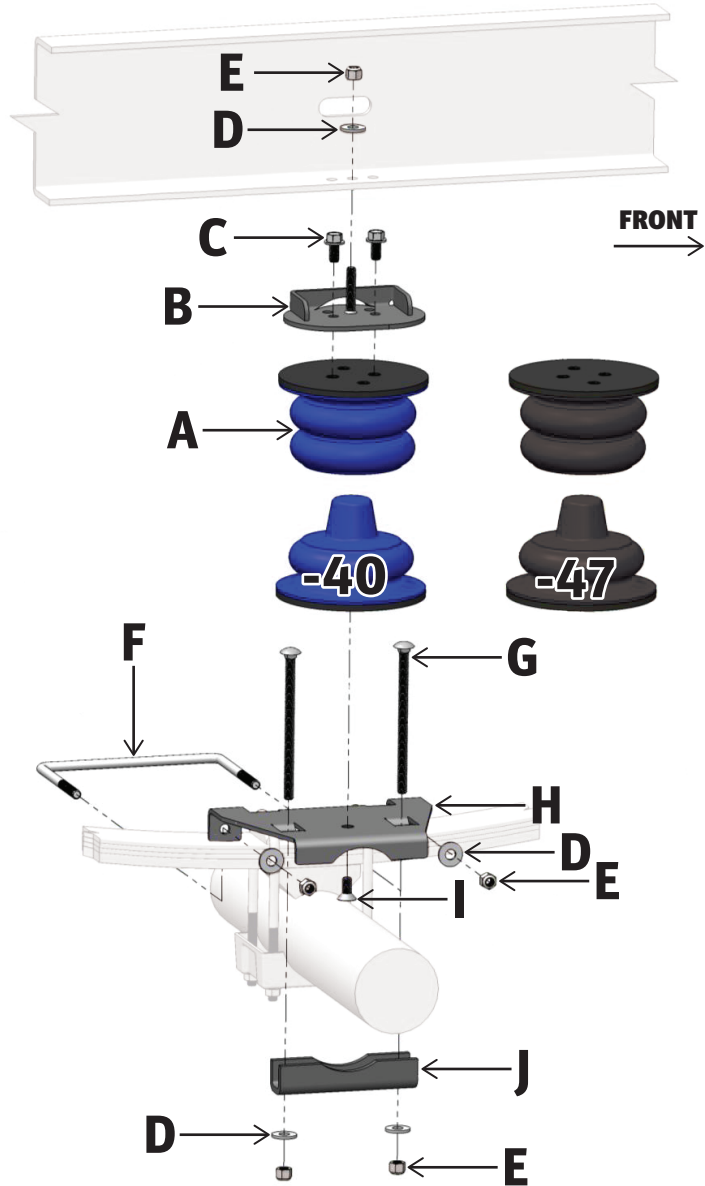
- > Ford F-250 Super Duty 4 X 2 (2011 - 2016)
- > Ford F-350 Super Duty 4 X 2 (2011 - 2016)

TOOLS REQUIRED

- > Floor Jack
- > Jack Stands
- > Wheel Chocks
- > Metric Sockets/Wrenches
- > 9/16 Wrench/Sockets
- > 7/32 Allen Wrench

PARTS LIST

Item	Part #	Description	QTY
A	511419	SumoSprings Blue -40	2
	511418	SumoSprings Black -47	
B	512148	Upper Bracket	2
C	512207	3/8 x 3/4" Flange Bolt	4
D	512227	3/8 Flat Washer	10
E	512323	3/8 Nyloc Nut	10
F	112196	3/8 Square U-Bolt	2
G	512210	3/8 x 6" Carriage Bolt	4
H	512149	Lower Bracket	2
I	512245	3/8 x 7/8" FHCS	2
J	512021	Lower Clamp Bracket	2



DRIVER SIDE (PASSENGER SIDE SIMILAR)

Part Number: SSR-133-40-2/47-2

Product Line: SUMOSPRINGS REAR

Page 1

Questions or Concerns?

Scan here:



or visit:
superspringsinternational.com

SAFETY NOTICE: We recommend installation be done by a professional or persons with sound mechanical knowledge.

WARNING: These instructions are a general guide for installation. SuperSprings International (SSI) assumes no liability for the actual installation process. Consumers and installers should apply common automotive safety practices when raising and working on any vehicle. **Do not put yourself in a position where, if the vehicle were to move unexpectedly, you may be injured.** SSI's products are designed to improve vehicle ride quality. Do not load any vehicle beyond the manufacturer's specifications.

Never exceed the manufacturer's Gross Vehicle Rating (GVWR) located on your vehicles identification tag.

BEFORE INSTALLATION: Ensure the vehicle is on a hard level surface, the parking brake is ON, with the ignition OFF, and place chocks in front of and behind the tires to prevent the vehicle from moving.

DURING AND/OR AFTER INSTALLATION: Ensure emergency brake cables are not touching the SSI products. Secure any cables out of the way with zip ties or by re-routing. Ensure all A/C lines, brake cables, and frame are clear of contact or interference.

REV. 2.02 | JUN 2023

PART NUMBER

SSR-133-40-2/47-2



INSTALLATION

1. Park vehicle on level hard surface. Place wheel chocks in front and behind the front wheels to prevent rolling. Observe all safety precautions and wear safety glasses.
2. Raise the rear of the vehicle allowing the axle to hang free and rest the frame on the safety jack stands rated for the weight of the vehicle. Removal of the rear wheels is optional.
3. Starting on the driver side, un-bolt and remove the existing factory bump stop from the underside of the frame.
4. Attach Upper Bracket [ITEM B] to the top of the SumoSpring [ITEM A] using two 3/8 x 3/4" Flange Bolts [ITEM C]. Place a drop of Blue Thread Locker on the threads of each bolt and torque to 30 ft. lbs. Be sure to use the set of holes in the bracket that locate the SumoSpring further inboard.
5. Attach the SumoSpring with Upper Bracket to the bottom of the frame. Ensure proper orientation with SumoSpring offset inboard (away from the wheel). Insert mounting stud of upper bracket into the hole in the frame where the factory bump stop was removed. Fasten securely using one 3/8 Flat Washer [ITEM D] and one 3/8 Nyloc Nut [ITEM E].
6. Place two 3/8 x 6" Carriage Bolts [ITEM G] in the recessed holes of the Lower Bracket [ITEM H].
7. Attach Lower Bracket [ITEM H] to bottom half of SumoSpring [ITEM A] using one 3/8 FHCS [ITEM BI]. Place a drop of Blue Thread Locker on the threads and torque to 30 ft. lbs.
8. Place the Lower Bracket and bottom half of SumoSpring on top of the axle.
9. Place the 3/8 Square U-Bolt [ITEM F] around the factory u-bolts as shown and attach to the tabs on the Lower Bracket using the 3/8 Nyloc Nuts [ITEM E] and 3/8 Flat Washers [ITEM D]. Tighten the nuts snugly, but do not over tighten or the bracket could be damaged.
10. Place the Lower Clamp Bracket [ITEM J] onto the ends of the 3/8 x 6" Carriage Bolts [ITEM G].
11. Secure in place using the 3/8 Nyloc Nuts [ITEM E] and 3/8 Flat Washers [ITEM D]. Tighten the nuts snugly, but do not over tighten or the bracket could be damaged.
12. Once upper and lower components are in place, raise the axle with the jack so the weight of the truck is again on the suspension.
13. Confirm that the upper and lower halves of the SumoSpring are aligned within 1/2". It is normal for them to engage at a bit of an angle and this will not affect the operation of the SumoSprings.
14. Repeat steps 3 through 13 on passenger side of truck.
15. If rear wheels were removed you can now reinstall the rear wheels and torque wheel nuts to manufacturers specifications. Jack up the vehicle and remove the safety jack stands. Remove wheel chocks from the front wheels.
16. Register the warranty for your SuperSprings International part. A warranty card can be found in the box your part came in.

Part Number: SSR-133-40-2/47-2

Product Line: SUMOSPRINGS REAR

Page 2

Questions or Concerns?

Scan here:



or visit:
superspringsinternational.com

SAFETY NOTICE: We recommend installation be done by a professional or persons with sound mechanical knowledge.

WARNING: These instructions are a general guide for installation. SuperSprings International (SSI) assumes no liability for the actual installation process. Consumers and installers should apply common automotive safety practices when raising and working on any vehicle. **Do not put yourself in a position where, if the vehicle were to move unexpectedly, you may be injured.** SSI's products are designed to improve vehicle ride quality. Do not load any vehicle beyond the manufacturer's specifications.

Never exceed the manufacturer's Gross Vehicle Rating (GVWR) located on your vehicles identification tag.

BEFORE INSTALLATION: Ensure the vehicle is on a hard level surface, the parking brake is ON, with the ignition OFF, and place chocks in front of and behind the tires to prevent the vehicle from moving.

DURING AND/OR AFTER INSTALLATION: Ensure emergency brake cables are not touching the SSI products. Secure any cables out of the way with zip ties or by re-routing. Ensure all A/C lines, brake cables, and frame are clear of contact or interference.

REV. 2.02 | JUN 2023