

PART NUMBER

**SSR-129-40-2/47-2**



**BEFORE YOU BEGIN**

**PRIMARY APPLICATIONS**

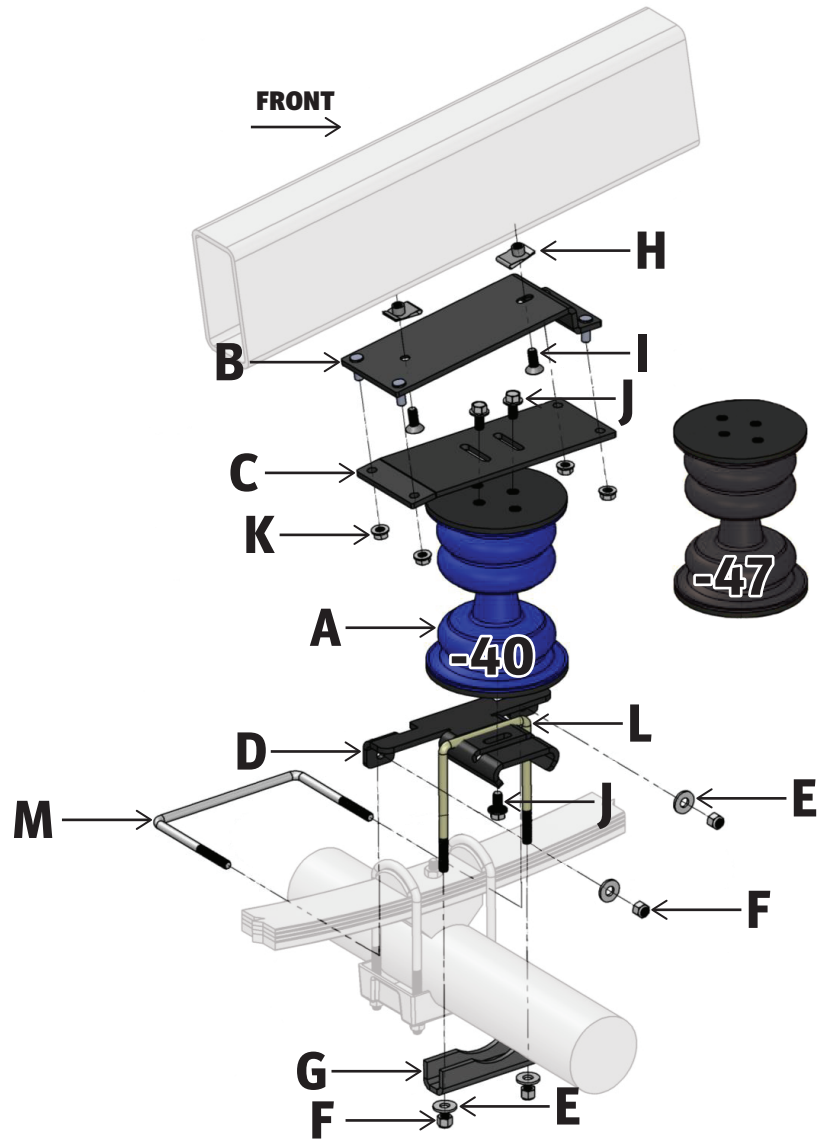
- > Ford F-250 Super Duty 4 X 2 (2017 - present)
- > Ford F-350 Super Duty 4 X 2 (2017 - present)

**TOOLS REQUIRED**

- > Floor Jack
- > Jack Stands
- > Wheel Chocks
- > Standard Sockets & Wrenches
- > Metric Sockets & Wrenches

**PARTS LIST**

Item	Part #	Description	QTY
A	511419	SumoSprings Blue -40	2
	511418	SumoSprings Black -47	
B	512344	Upper Bracket 1	2
C	512345	Upper Bracket 2	2
D	512346	Lower Bracket	2
E	512244	5/16 Flat Washer	8
F	512323	3/8-16 Nylock Nut	8
G	512021	U-Channel Clamp	2
H	512356	3/8-16 Clip Nut	4
I	512340	3/8-16 x 1" FHCS	4
J	512207	3/8-16 x 3/4" Serrated Flange Bolt	6
K	512302	3/8 Flanged Lock Nut	8
L	512230	3/8 x 4" x 6" U-Bolt	2
M	112196	3/8 x 7 1/8" x 5" U-Bolt	2



**DRIVER SIDE (PASSENGER SIDE SIMILAR)**

**Part Number: SSR-129-40-2/47-2**

**Product Line: SUMOSPRINGS REAR**

**Page 1**

Questions or Concerns?

Scan here:



or visit:  
[superspringsinternational.com](http://superspringsinternational.com)

**SAFETY NOTICE:** We recommend installation be done by a professional or persons with sound mechanical knowledge.

**WARNING:** These instructions are a general guide for installation. SuperSprings International (SSI) assumes no liability for the actual installation process. Consumers and installers should apply common automotive safety practices when raising and working on any vehicle. **Do not put yourself in a position where, if the vehicle were to move unexpectedly, you may be injured.** SSI's products are designed to improve vehicle ride quality. Do not load any vehicle beyond the manufacturer's specifications.

Never exceed the manufacturer's Gross Vehicle Rating (GVWR) located on your vehicles identification tag.

**BEFORE INSTALLATION:** Ensure the vehicle is on a hard level surface, the parking brake is ON, with the ignition OFF, and place chocks in front of and behind the tires to prevent the vehicle from moving.

**DURING AND/OR AFTER INSTALLATION:** Ensure emergency brake cables are not touching the SSI products. Secure any cables out of the way with zip ties or by re-routing. Ensure all A/C lines, brake cables, and frame are clear of contact or interference.

PART NUMBER

## SSR-129-40-2/47-2



### INSTALLATION

1. Park vehicle on level hard surface. Place wheel chocks in front and behind the front wheels to prevent rolling. Observe all safety precautions and wear safety glasses.
2. Raise the rear of the vehicle allowing the axle to hang free and rest the frame on the safety jack stands rated for the weight of the vehicle. Removal of the rear wheels is optional.
3. Starting on the driver side, un-bolt and remove the factory bump stop from the underside of the frame and remove the factory studs that are clipped into the frame.
4. Attach two 3/8 Clip Nuts [ITEM H] onto the frame where the factory studs were positioned. Ensure that the threaded portion is up inside the frame.
5. Using the two 3/8-16 FHCS [ITEM I], attach the Upper Bracket 1 [ITEM B] to the frame with the bent end toward the front of the vehicle as in the diagram. Place a drop of the blue locktite on the threads of each bolt.
6. Using two 3/8 Serrated Flange Bolts [ITEM J] attach the top half of the SumoSpring [ITEM A] to the Upper Bracket 2 [ITEM C]. Leave the bolts slightly loose so that the position of the SumoSpring can be adjusted.
7. Place the Upper Bracket 2 and SumoSpring assembly [ITEM C & A] onto the studs of the Upper Bracket 1 [ITEM B]. The end of item B with the bend goes toward the rear of the truck as in the diagram. Fasten the brackets together with four 3/8 Flanged Lock Nuts [ITEM K].
8. Place one U-Bolt [ITEM L] into the inner groove of the Lower Bracket [ITEM D] as seen in diagram.
9. Using one 3/8 Serrated Flange Bolt [ITEM J] attach the lower half of the SumoSpring to the Lower Bracket [ITEM D]. Leave the bolt slightly loose so that the position can be adjusted.
10. Place the lower assembly on the axle and position tight to the leaf pack.
11. Align upper and lower halves of the SumoSpring using a jack to raise the axle if necessary.
12. Once the top and bottom of the SumoSpring are lined up, tighten the bolts [ITEM J].
13. Place the U-Bolt [ITEM M] around the factory u-bolts and below the leaf pack so that the ends protrude through the holes in the Lower Bracket [ITEM D] and fasten securely with 5/16 Flat Washers [ITEM E] and 3/8-16 Nyloc Nuts [ITEM F].
14. Place the U-Channel Clamp [ITEM G] over the ends of the U-Bolt [ITEM L] and fasten tight to the bottom of the axle using the 5/16 Flat Washers [ITEM E] and 3/8-16 Nyloc Nuts [ITEM F].
15. Repeat steps 3 through 14 on passenger side.
16. If rear wheels were removed you can now reinstall the rear wheels and torque wheel nuts to manufacturers specifications. Jack up vehicle, remove safety jack stands. Remove wheel chocks from the front wheels.
17. Register the warranty for your SuperSprings International part. A warranty card can be found in the box your part came in.

Part Number: SSR-129-40-2/47-2

Product Line: SUMOSPRINGS REAR

Page 2

Questions or Concerns?

Scan here:



or visit:  
[superspringsinternational.com](http://superspringsinternational.com)

**SAFETY NOTICE:** We recommend installation be done by a professional or persons with sound mechanical knowledge.

**WARNING:** These instructions are a general guide for installation. SuperSprings International (SSI) assumes no liability for the actual installation process. Consumers and installers should apply common automotive safety practices when raising and working on any vehicle. **Do not put yourself in a position where, if the vehicle were to move unexpectedly, you may be injured.** SSI's products are designed to improve vehicle ride quality. Do not load any vehicle beyond the manufacturer's specifications.

**Never exceed the manufacturer's Gross Vehicle Rating (GVWR) located on your vehicles identification tag.**

**BEFORE INSTALLATION:** Ensure the vehicle is on a hard level surface, the parking brake is ON, with the ignition OFF, and place chocks in front of and behind the tires to prevent the vehicle from moving.

**DURING AND/OR AFTER INSTALLATION:** Ensure emergency brake cables are not touching the SSI products. Secure any cables out of the way with zip ties or by re-routing. Ensure all A/C lines, brake cables, and frame are clear of contact or interference.

REV. 2.01 | SEP 2023