

PART NUMBER

SSR-118-54



BEFORE YOU BEGIN

PRIMARY APPLICATIONS

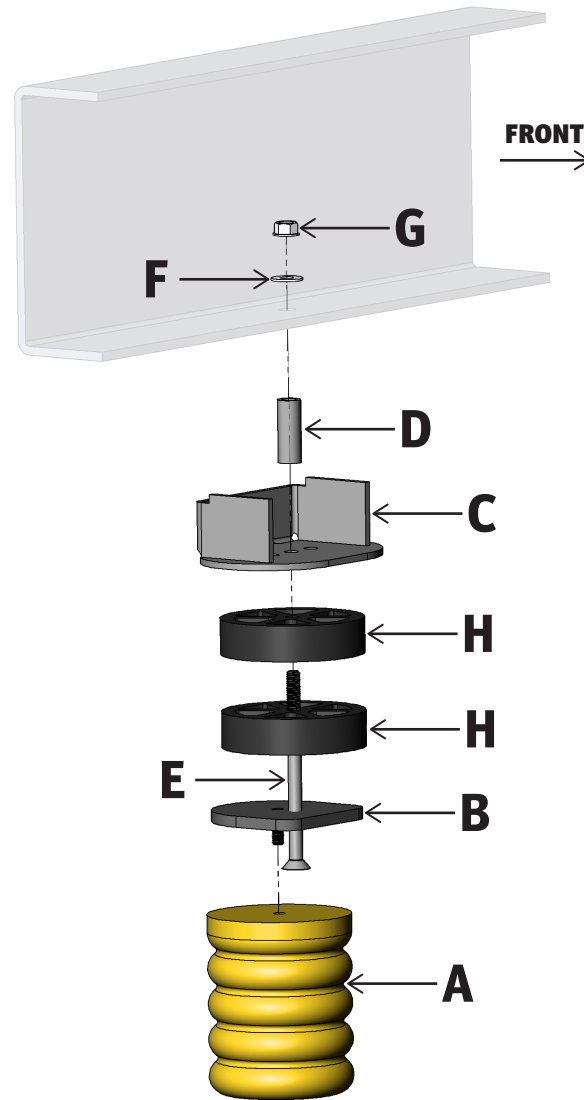
- > Ford F-450 Super Duty 4 X 2 (2005 - 2016)
- > Ford F-450 Super Duty 4 X 4 (2005 - 2016)
- > Ford F-550 Super Duty 4 X 2 (2005 - 2016)
- > Ford F-550 Super Duty 4 X 4 (2005 - 2016)

PARTS LIST

Item	Part #	Description	QTY
A	511432	SumoSprings Yellow -54	2
B	512027	Offset Adapter	2
C	512038	Mounting Bracket	2
D	512050	Steel Sleeve	2
E	512268	3/8-16 x 3 1/2" FHCS	2
	512309	3/8-16 x 4 1/2" FHCS	2
	512311	3/8-16 x 5 1/2" FHCS	2
F	512244	5/16 Flat Washer	2
G	512209	3/8-16 Flange Nut	2
H	512117	1" Spacer	4

TOOLS REQUIRED

- > Floor Jack
- > Jack Stands
- > Wheel Chocks
- > 7/32 Allen Key
- > 9/16 Wrench/Socket



DRIVER SIDE (PASSENGER SIDE SIMILAR)

Part Number: SSR-118-54

Product Line: SUMOSPRINGS REAR

Page 1

Questions or Concerns?

Scan here:



or visit:
superspringsinternational.com

SAFETY NOTICE: We recommend installation be done by a professional or persons with sound mechanical knowledge.

WARNING: These instructions are a general guide for installation. SuperSprings International (SSI) assumes no liability for the actual installation process. Consumers and installers should apply common automotive safety practices when raising and working on any vehicle. **Do not put yourself in a position where, if the vehicle were to move unexpectedly, you may be injured.** SSI's products are designed to improve vehicle ride quality. Do not load any vehicle beyond the manufacturer's specifications.

Never exceed the manufacturer's Gross Vehicle Rating (GVWR) located on your vehicles identification tag.

BEFORE INSTALLATION: Ensure the vehicle is on a hard level surface, the parking brake is ON, with the ignition OFF, and place chocks in front of and behind the tires to prevent the vehicle from moving.

DURING AND/OR AFTER INSTALLATION: Ensure emergency brake cables are not touching the SSI products. Secure any cables out of the way with zip ties or by re-routing. Ensure all A/C lines, brake cables, and frame are clear of contact or interference.

REV. 2.02 | SEP 2023

PART NUMBER

SSR-118-54



INSTALLATION

1. Park vehicle on level hard surface. Place wheel chocks in front and behind the front wheels to prevent rolling. Observe all safety precautions and wear safety glasses.
2. Raise the rear of the vehicle allowing the axle to hang free and rest the frame on the safety jack stands rated for the weight of the vehicle. Removal of the rear wheels is optional.
3. Starting on the driver side of the vehicle, un-bolt and remove the factory bump stop from the underside of the frame and set aside.
4. Remove the SumoSprings parts from the box and assemble as shown in diagram on page 1.

NOTE: For each side there are two 1" Spacers [ITEM H] and three different Flat Head Cap Screws [ITEM E] supplied. The kit may be assembled using 0, 1, or 2 of the spacers per side to achieve desired ride height.

5. Determine the correct length 3/8-16 FHCS [ITEM E] based on number of Spacers [ITEM H] used. Insert the FHCS [ITEM E] through the Offset Adapter [ITEM B], through the Spacers [ITEM H] (if used), through the Mounting Bracket [ITEM C], through the Steel Sleeve [ITEM D], and through the hole in the frame where the factory bump stop was attached. Be sure the Mounting Bracket is located with the open side facing inboard and the Offset Adapter is rotated with the stud offset toward the wheel.
6. Bolt to frame using 3/8-16 Flange Nut [ITEM G] and 5/16 Flat Washer [ITEM F].
7. Apply Blue Thread Locker to the stud protruding from the under-side of the Offset Plate [ITEM B]. Screw the SumoSpring [ITEM A] onto the stud with Blue Thread Locker and tighten securely.
8. Repeat steps 3 through 7 on the passenger side of the vehicle.
9. If rear wheels were removed you can now reinstall the rear wheels and torque wheel nuts to manufacturers specifications.
10. Jack up vehicle, remove safety jack stands.
11. Remove wheel chocks from the front wheels.
12. Register the warranty for your SuperSprings International part. A warranty card can be found in the box your part came in.

Part Number: SSR-118-54

Product Line: SUMOSPRINGS REAR

Page 2

Questions or Concerns?

Scan here:



or visit:
superspringsinternational.com

SAFETY NOTICE: We recommend installation be done by a professional or persons with sound mechanical knowledge.

WARNING: These instructions are a general guide for installation. SuperSprings International (SSI) assumes no liability for the actual installation process. Consumers and installers should apply common automotive safety practices when raising and working on any vehicle. **Do not put yourself in a position where, if the vehicle were to move unexpectedly, you may be injured.** SSI's products are designed to improve vehicle ride quality. Do not load any vehicle beyond the manufacturer's specifications.

Never exceed the manufacturer's Gross Vehicle Rating (GVWR) located on your vehicles identification tag.

BEFORE INSTALLATION: Ensure the vehicle is on a hard level surface, the parking brake is ON, with the ignition OFF, and place chocks in front of and behind the tires to prevent the vehicle from moving.

DURING AND/OR AFTER INSTALLATION: Ensure emergency brake cables are not touching the SSI products. Secure any cables out of the way with zip ties or by re-routing. Ensure all A/C lines, brake cables, and frame are clear of contact or interference.

REV. 2.02 | SEP 2023