

PART NUMBER

**SSP-002**



**BEFORE YOU BEGIN**

**PRIMARY APPLICATIONS**

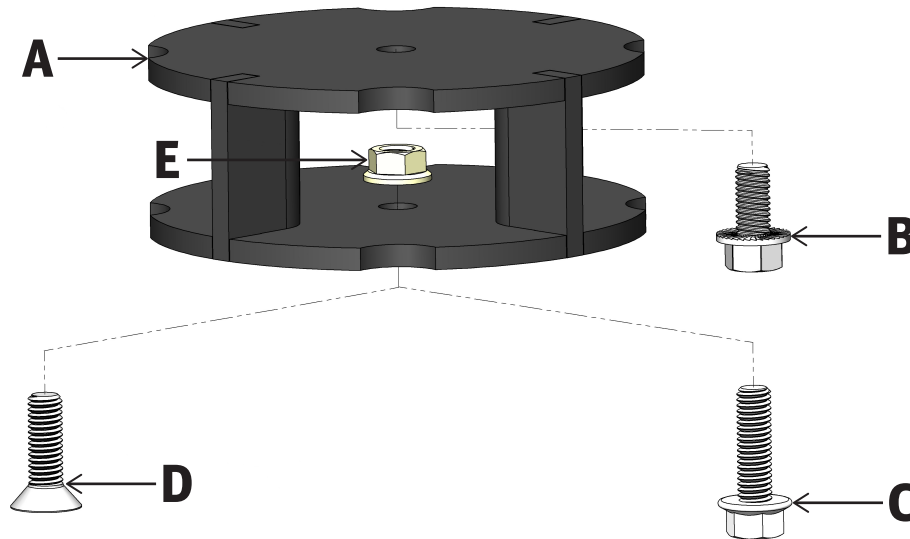
> For installation in conjunction with SumoSpring Rebel kits on lifted vehicles.

**PARTS LIST**

Item	Part #	Description	QTY
A	512189	SumoSprings Steel Spacer 2"	2
B	512207	3/8-16 x 3/4" Flange Bolt	2
C	512278	3/8-16 x 1 1/4" Flange Bolt	2
D	512279	3/8-16 x 1 1/4" FHCS	2
E	512302	3/8-16 Locking Flange Nut	2

**TOOLS REQUIRED**

- > Floor Jack
- > Jack Stands
- > Wheel Chocks
- > Standard Sockets & Wrenches
- > 7/32 Allen Key



**Part Number: SSP-002**

**Product Line: SUMOSPRINGS SPACERS**

**Page 1**

Questions or Concerns?

Scan here:



or visit:  
[superspringsinternational.com](http://superspringsinternational.com)

**SAFETY NOTICE:** We recommend installation be done by a professional or persons with sound mechanical knowledge.

**WARNING:** These instructions are a general guide for installation. SuperSprings International (SSI) assumes no liability for the actual installation process. Consumers and installers should apply common automotive safety practices when raising and working on any vehicle. **Do not put yourself in a position where, if the vehicle were to move unexpectedly, you may be injured.** SSI's products are designed to improve vehicle ride quality. Do not load any vehicle beyond the manufacturer's specifications.

**Never exceed the manufacturer's Gross Vehicle Rating (GVWR) located on your vehicles identification tag.**

**BEFORE INSTALLATION:** Ensure the vehicle is on a hard level surface, the parking brake is ON, with the ignition OFF, and place chocks in front of and behind the tires to prevent the vehicle from moving.

**DURING AND/OR AFTER INSTALLATION:** Ensure emergency brake cables are not touching the SSI products. Secure any cables out of the way with zip ties or by re-routing. Ensure all A/C lines, brake cables, and frame are clear of contact or interference.

REV. 1.01 | AUG 2023

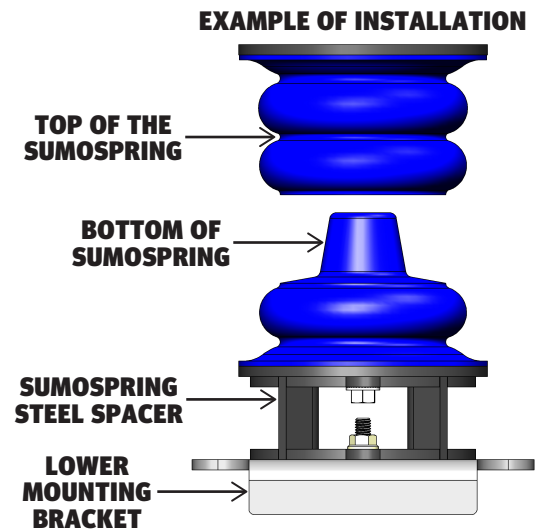
PART NUMBER

**SSP-002**



## INSTALLATION

1. Park the vehicle on a hard, level surface and engage the emergency brake. Place chocks in front and behind wheels to prevent rolling. Raise the back of the vehicle and allow the axle to hang so the rear wheels are off the ground. Support chassis with jack stands. Observe all safety precautions and wear safety glasses.
2. It is not necessary to remove the rear wheels, but it will allow for easier installation.
3. The Spacer [ITEM A] needs to be installed between the bottom of the SumoSpring and the Lower Mounting Bracket.
4. Attach the Spacer [ITEM A] to the bottom of the SumoSpring using one 3/8-16 x 3/4" Flange Bolt [ITEM B] and torque to 25 ft. lbs.
5. Attach the Spacer and SumoSpring assembly to the Lower Mounting Bracket using one 3/8-16 Locking Flange Nut [ITEM E] and either the 3/8-16 x 1 1/4" Flange Bolt [ITEM C] or the 3/8-16 x 1 1/4" Flat Head Cap Screw [ITEM D] (this is determined by what type of bolt is used in the original kit) and torque to 25 ft. lbs.
6. Repeat steps 3 through 5 on the other side of the vehicle.
7. If wheels were removed, they can now be installed. Torque lug nuts to factory specifications.
8. Register the warranty for your SuperSprings International part. A warranty card can be found in the box your part came in.



**Part Number: SSP-002**

**Product Line: SUMOSPRINGS SPACERS**

**Page 2**

Questions or Concerns?

Scan here:



or visit:  
[superspringsinternational.com](http://superspringsinternational.com)

**SAFETY NOTICE:** We recommend installation be done by a professional or persons with sound mechanical knowledge.

**WARNING:** These instructions are a general guide for installation. SuperSprings International (SSI) assumes no liability for the actual installation process. Consumers and installers should apply common automotive safety practices when raising and working on any vehicle. **Do not put yourself in a position where, if the vehicle were to move unexpectedly, you may be injured.** SSI's products are designed to improve vehicle ride quality. Do not load any vehicle beyond the manufacturer's specifications.

Never exceed the manufacturer's Gross Vehicle Rating (GVWR) located on your vehicles identification tag.

**BEFORE INSTALLATION:** Ensure the vehicle is on a hard level surface, the parking brake is ON, with the ignition OFF, and place chocks in front of and behind the tires to prevent the vehicle from moving.

**DURING AND/OR AFTER INSTALLATION:** Ensure emergency brake cables are not touching the SSI products. Secure any cables out of the way with zip ties or by re-routing. Ensure all A/C lines, brake cables, and frame are clear of contact or interference.

REV. 1.01 | AUG 2023