

PART NUMBER

SSF-303-54



BEFORE YOU BEGIN

PRIMARY APPLICATIONS

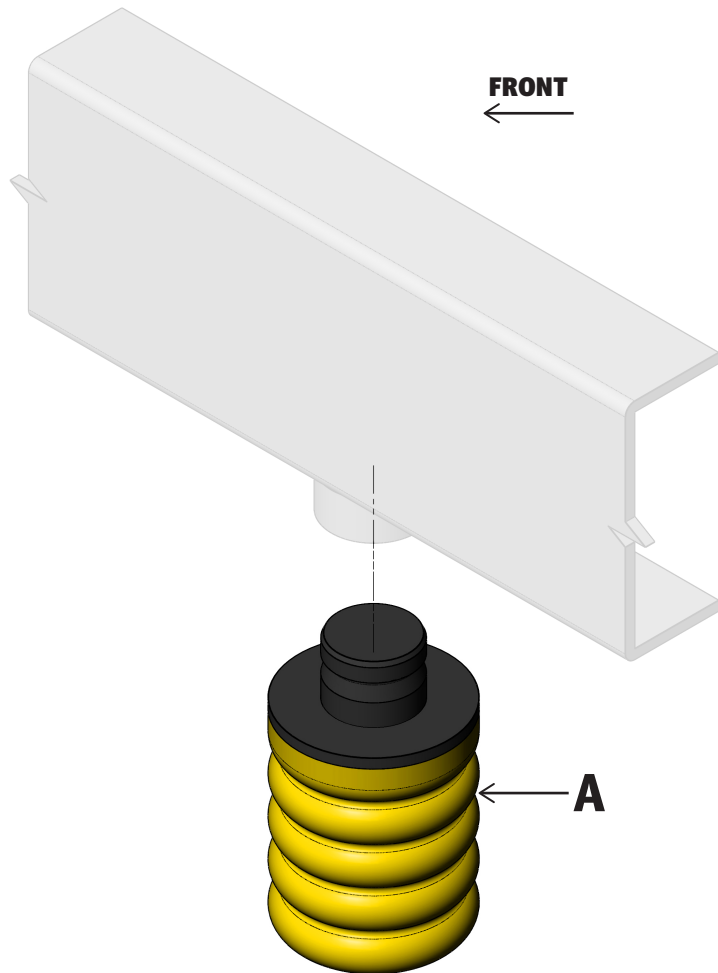
- > Dodge RAM 4500 4 X 2 & 4 X 4 (2008 - 2010)
- > Dodge RAM 5500 4 X 2 & 4 X 4 (2008 - 2010)
- > RAM 4500 4 X 2 & 4 X 4 (2011 - present)
- > RAM 5500 4 X 2 & 4 X 4 (2011 - present)

TOOLS REQUIRED

- > Floor Jack
- > Jack Stands
- > Wheel Chocks
- > 2x4 Wood Block

PARTS LIST

Item	Part #	Description	QTY
A	511433	SumoSpring Yellow -54	2



DRIVER SIDE (PASSENGER SIDE SIMILAR)

Part Number: SSF-303-54

Product Line: SUMOSPRINGS FRONT

Page 1

Questions or Concerns?

Scan here:



or visit:
superspringsinternational.com

SAFETY NOTICE: We recommend installation be done by a professional or persons with sound mechanical knowledge.

WARNING: These instructions are a general guide for installation. SuperSprings International (SSI) assumes no liability for the actual installation process. Consumers and installers should apply common automotive safety practices when raising and working on any vehicle. **Do not put yourself in a position where, if the vehicle were to move unexpectedly, you may be injured.** SSI's products are designed to improve vehicle ride quality. Do not load any vehicle beyond the manufacturer's specifications.

Never exceed the manufacturer's Gross Vehicle Rating (GVWR) located on your vehicles identification tag.

BEFORE INSTALLATION: Ensure the vehicle is on a hard level surface, the parking brake is ON, with the ignition OFF, and place chocks in front of and behind the tires to prevent the vehicle from moving.

DURING AND/OR AFTER INSTALLATION: Ensure emergency brake cables are not touching the SSI products. Secure any cables out of the way with zip ties or by re-routing. Ensure all A/C lines, brake cables, and frame are clear of contact or interference.

REV. 2.01 | AUG 2023

PART NUMBER

SSF-303-54



INSTALLATION

1. Park vehicle on level hard surface. Engage emergency brake. Place chocks in front and behind rear wheels to prevent rolling. Observe all safety precautions and wear safety glasses.
2. Raise front of vehicle allowing the axle to hang freely. Support the frame using safety jack stands.
3. Remove existing factory bump stop assembly by grasping it firmly and with a twisting and pulling motion, work it until the bump stop pops out of the retaining cup. It can also be pried out of the retaining cup utilizing a large flat blade screwdriver.
4. Position the SumoSpring [ITEM A] into the retaining cup. Place a 2x4 wood block between the underside of SumoSpring and the bump stop pad on the axle. Raise the axle by jacking on the underside of the axle until the SumoSpring is fully seated in the retainer cup.
5. Repeat steps 3 through 4 on the other side of the vehicle.
6. Jack up vehicle, remove safety jack stands.
7. Carefully lower vehicle to the hard surface. Remove the chocks in front and back of the rear wheels.
8. Register the warranty for your SuperSprings International part. A warranty card can be found in the box your part came in.

Part Number: SSF-303-54

Product Line: SUMOSPRINGS FRONT

Page 2

Questions or Concerns?

Scan here:



or visit:
superspringsinternational.com

SAFETY NOTICE: We recommend installation be done by a professional or persons with sound mechanical knowledge.

WARNING: These instructions are a general guide for installation. SuperSprings International (SSI) assumes no liability for the actual installation process. Consumers and installers should apply common automotive safety practices when raising and working on any vehicle. **Do not put yourself in a position where, if the vehicle were to move unexpectedly, you may be injured.** SSI's products are designed to improve vehicle ride quality. Do not load any vehicle beyond the manufacturer's specifications.

Never exceed the manufacturer's Gross Vehicle Rating (GVWR) located on your vehicles identification tag.

BEFORE INSTALLATION: Ensure the vehicle is on a hard level surface, the parking brake is ON, with the ignition OFF, and place chocks in front of and behind the tires to prevent the vehicle from moving.

DURING AND/OR AFTER INSTALLATION: Ensure emergency brake cables are not touching the SSI products. Secure any cables out of the way with zip ties or by re-routing. Ensure all A/C lines, brake cables, and frame are clear of contact or interference.

REV. 2.01 | AUG 2023