

PART NUMBER

SSF-205-54



SCAN HERE: To watch a video of this installation



BEFORE YOU BEGIN

PARTS LIST

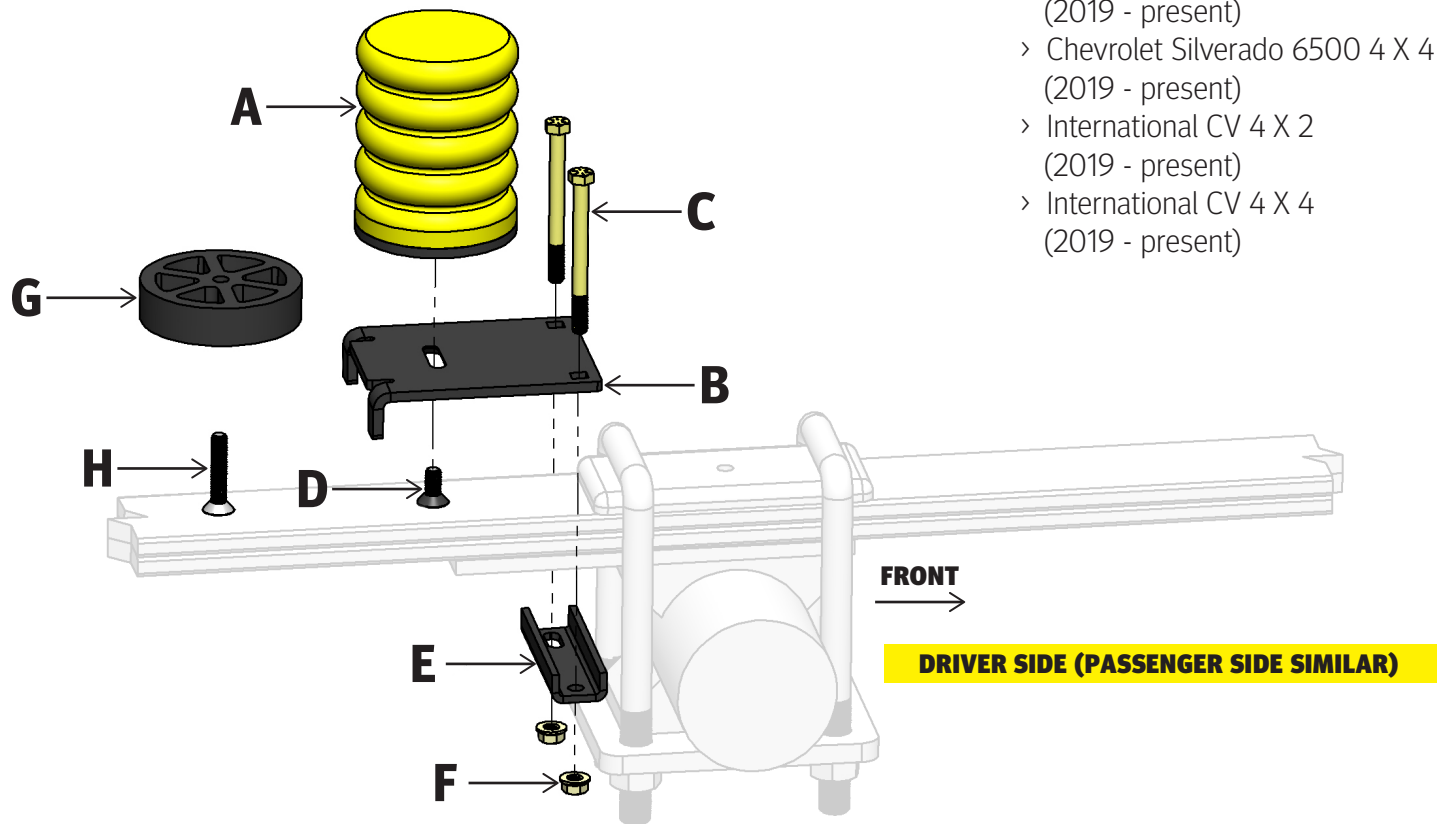
Item	Part #	Description	QTY
A	511404-38	SumoSprings Yellow -54	2
B	512040	Mounting Bracket	2
C	512247-8	3/8-16 x 4" Hex Bolt	4
D	512245	3/8-16 x 7/8" FHCS	2
E	512047	U Bracket Strap	2
F	512302	3/8" Locking Flange Nut	4
G	512117	1" Spacer	2
H	512299	3/8-16 x 2" FHCS	2

TOOLS REQUIRED

- > Floor Jack
- > Jack Stands
- > Wheel Chocks
- > 7/32 Allen Key
- > 9/16 Wrench/Socket

PRIMARY APPLICATIONS

- > Chevrolet Silverado 4500 4 X 2 (2019 - present)
- > Chevrolet Silverado 4500 4 X 4 (2019 - present)
- > Chevrolet Silverado 5500 4 X 2 (2019 - present)
- > Chevrolet Silverado 5500 4 X 4 (2019 - present)
- > Chevrolet Silverado 6500 4 X 2 (2019 - present)
- > Chevrolet Silverado 6500 4 X 4 (2019 - present)
- > International CV 4 X 2 (2019 - present)
- > International CV 4 X 4 (2019 - present)



Part Number: SSF-205-54

Product Line: SUMOSPRINGS FRONT

Page 1

Questions or Concerns?

Scan here:



or visit:
superspringsinternational.com

SAFETY NOTICE: We recommend installation be done by a professional or persons with sound mechanical knowledge.

WARNING: These instructions are a general guide for installation. SuperSprings International (SSI) assumes no liability for the actual installation process. Consumers and installers should apply common automotive safety practices when raising and working on any vehicle. **Do not put yourself in a position where, if the vehicle were to move unexpectedly, you may be injured.** SSI's products are designed to improve vehicle ride quality. Do not load any vehicle beyond the manufacturer's specifications.

Never exceed the manufacturer's Gross Vehicle Rating (GVWR) located on your vehicles identification tag.

BEFORE INSTALLATION: Ensure the vehicle is on a hard level surface, the parking brake is ON, with the ignition OFF, and place chocks in front of and behind the tires to prevent the vehicle from moving.

DURING AND/OR AFTER INSTALLATION: Ensure emergency brake cables are not touching the SSI products. Secure any cables out of the way with zip ties or by re-routing. Ensure all A/C lines, brake cables, and frame are clear of contact or interference.

REV. 2.03 | AUG 2023

PART NUMBER

SSF-205-54



INSTALLATION

1. Park vehicle on a level hard surface. Engage emergency brake. Place chocks in front and behind rear wheels to prevent rolling. Observe all safety precautions and wear safety glasses.
2. Raise front of vehicle allowing the axle to hang freely. Support the frame using safety jack stands.
3. Starting on the driver side, attach the SumoSprings [ITEM A] to the Mounting Bracket [ITEM B] using the 3/8-16 x 7/8" FHCS [ITEM D] after applying a drop of Blue Thread Locker to the threads of the screw. Center the bolt in the slot of the bracket.

NOTE: If more preload is desired, place the 1" Spacer [ITEM H] between the SumoSpring [ITEM A] and Mounting Bracket [ITEM B] and fasten together with the 3/8-16 x 2" FHCS [ITEM H].

4. Torque the bolt to 20 ft. lbs.
5. Place the Mounting Bracket with attached SumoSprings on top of the factory leaf pack just behind the axle. Be sure to place the flange for the mounting bolts toward the front and the notch for the leaf spring to the rear.
6. Slide the bracket forward so that the edge of the bracket is in contact with the top spring plate.
7. Place two 3/8-16 x 4" Hex Bolts [ITEM C] and install the bolts through the holes in the mounting bracket.
8. Slide the U Bracket Strap [ITEM E] over the ends of the hex bolts ensuring that the "U" shape is facing up.
9. Fasten securely using the two 3/8" Locking Flange Nuts [ITEM F].
10. Tighten the nuts evenly and torque to 32 ft. lbs.
11. Repeat steps 3 through 10 on the passenger side of the vehicle.
12. Jack up vehicle, remove safety jack stands. Carefully lower vehicle to the hard surface. Remove the chocks in front and back of the rear wheels.
13. Register the warranty for your SuperSprings International part. A warranty card can be found in the box your part came in.

Part Number: SSF-205-54

Product Line: SUMOSPRINGS FRONT

Page 2

Questions or Concerns?

Scan here:



or visit:
superspringsinternational.com

SAFETY NOTICE: We recommend installation be done by a professional or persons with sound mechanical knowledge.

WARNING: These instructions are a general guide for installation. SuperSprings International (SSI) assumes no liability for the actual installation process. Consumers and installers should apply common automotive safety practices when raising and working on any vehicle. **Do not put yourself in a position where, if the vehicle were to move unexpectedly, you may be injured.** SSI's products are designed to improve vehicle ride quality. Do not load any vehicle beyond the manufacturer's specifications.

Never exceed the manufacturer's Gross Vehicle Rating (GVWR) located on your vehicles identification tag.

BEFORE INSTALLATION: Ensure the vehicle is on a hard level surface, the parking brake is ON, with the ignition OFF, and place chocks in front of and behind the tires to prevent the vehicle from moving.

DURING AND/OR AFTER INSTALLATION: Ensure emergency brake cables are not touching the SSI products. Secure any cables out of the way with zip ties or by re-routing. Ensure all A/C lines, brake cables, and frame are clear of contact or interference.

REV. 2.03 | AUG 2023