

PART NUMBER

SSF-173-40-2



SCAN HERE: To watch a video of this installation



BEFORE YOU BEGIN

PRIMARY APPLICATIONS

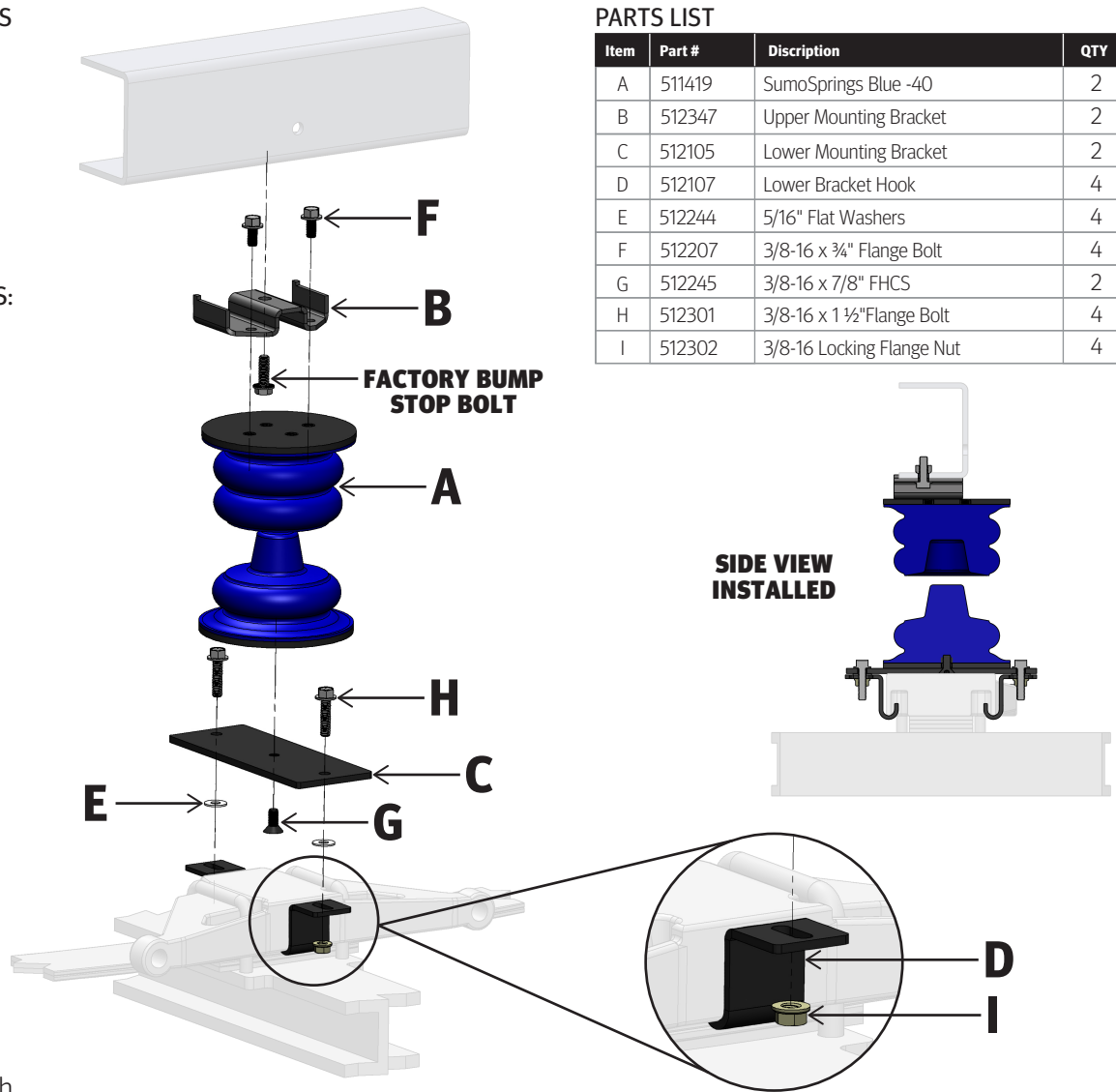
- > Ford F53 4 X 2 (2011 - present)
- > Ford F53 4 X 2 (2008 - 2009)

THIS APPLICATION FITS THE FOLLOWING 24k-26k GVWR MODELS:

- > Coachmen
- > Fleetwood
- > Forest River
- > Holiday Rambler
- > Jayco
- > Newmar
- > Thor
- > Tiffin
- > Winnebago

TOOLS REQUIRED

- > Floor Jack
- > Jack Stands
- > Wheel Chocks
- > 9/16" Wrench
- > 7/32" Allen Wrench
- > 15mm Wrench
- > 13mm Socket & Extension



PARTS LIST

Item	Part #	Description	QTY
A	511419	SumoSPrings Blue -40	2
B	512347	Upper Mounting Bracket	2
C	512105	Lower Mounting Bracket	2
D	512107	Lower Bracket Hook	4
E	512244	5/16" Flat Washers	4
F	512207	3/8-16 x 3/4" Flange Bolt	4
G	512245	3/8-16 x 7/8" FHCS	2
H	512301	3/8-16 x 1 1/2" Flange Bolt	4
I	512302	3/8-16 Locking Flange Nut	4

DRIVER SIDE (PASSENGER SIDE SIMILAR)

Part Number: SSF-173-40-2

Product Line: SUMOSPRINGS FRONT

Page 1

Questions or Concerns?

Scan here:



or visit:
superspringsinternational.com

SAFETY NOTICE: We recommend installation be done by a professional or persons with sound mechanical knowledge.

WARNING: These instructions are a general guide for installation. SuperSprings International (SSI) assumes no liability for the actual installation process. Consumers and installers should apply common automotive safety practices when raising and working on any vehicle. **Do not put yourself in a position where, if the vehicle were to move unexpectedly, you may be injured.** SSI's products are designed to improve vehicle ride quality. Do not load any vehicle beyond the manufacturer's specifications.

Never exceed the manufacturer's Gross Vehicle Rating (GVWR) located on your vehicles identification tag.

BEFORE INSTALLATION: Ensure the vehicle is on a hard level surface, the parking brake is ON, with the ignition OFF, and place chocks in front of and behind the tires to prevent the vehicle from moving.

DURING AND/OR AFTER INSTALLATION: Ensure emergency brake cables are not touching the SSI products. Secure any cables out of the way with zip ties or by re-routing. Ensure all A/C lines, brake cables, and frame are clear of contact or interference.

PART NUMBER

SSF-173-40-2



INSTALLATION

1. Park the vehicle on a hard, level surface and engage the emergency brake. Place chocks in front and behind wheels to prevent rolling. Observe all safety precautions and wear safety glasses.
2. Raise the front of the vehicle until the axle hangs free. Rest the frame on safety jack stands rated for the weight of the vehicle. Removal of the front wheels is optional.
3. Starting on the driver side, remove the existing factory bump stop. Make sure you keep the factory hardware for the installation of the upper bracket.

NOTE: On the passenger side, remove the bolt only; the nut is welded inside the frame.

4. Insert two 3/8-16" Flange Bolts [ITEM F] into the outside holes of the Upper Mounting Bracket [ITEM B] and let it hang freely. Using the factory bump stop bolt and nut, attach the Upper Mounting Bracket [ITEM B] to the bottom of the frame in the same position as the factory bump stop was installed.
5. Bolt upper half of the SumoSpring [ITEM A] to the Upper Mounting Bracket [ITEM B] using the previously installed bolts and tighten securely with a wrench.
6. Attach the Lower Mounting Bracket [ITEM C] to the bottom half of the SumoSpring [ITEM A] in the correct orientation using a single 3/8-16 x 7/8" FHCS [ITEM G]. Please note that the lower mounting bracket must be positioned so that the center hole is offset outward toward the wheel.

IMPORTANT NOTE: Make sure you place a 5/16 Flat Washer [ITEM E] between each of the Lower Bracket Hook [ITEM D] and the Lower Mounting Bracket [ITEM C]. However, if the lower mounting bracket is not tight to the spring plate after the bolts are tightened, you can remove them to ensure a tighter fit.

7. Using the two 3/8-16 x 1 1/2" Flange Bolts [ITEM H], two 5/16" Flat Washers [ITEM E] and two 3/8" Locking Flange Nuts [ITEM I], attach two Lower Bracket Hooks [ITEM D] to the Lower Mounting Bracket [ITEM C] making sure to hook them under the shock mount/spring plate.
8. With everything in place, ensure that the top and bottom halves of SumoSpring are visually aligned and tighten the bottom bracket bolts securely.
9. Repeat steps 3 through 8 on the passenger side of the vehicle.
10. Raise the vehicle, remove safety jack stands, and carefully lower vehicle to the hard surface. Remove the chocks in front and back of the rear wheels.
11. Register the warranty for your SuperSprings International part. A warranty card can be found in the box your part came in.

Part Number: SSF-173-40-2

Product Line: SUMOSPRINGS FRONT

Page 2

Questions or Concerns?

Scan here:



or visit:
superspringsinternational.com

SAFETY NOTICE: We recommend installation be done by a professional or persons with sound mechanical knowledge.

WARNING: These instructions are a general guide for installation. SuperSprings International (SSI) assumes no liability for the actual installation process. Consumers and installers should apply common automotive safety practices when raising and working on any vehicle. **Do not put yourself in a position where, if the vehicle were to move unexpectedly, you may be injured.** SSI's products are designed to improve vehicle ride quality. Do not load any vehicle beyond the manufacturer's specifications.

Never exceed the manufacturer's Gross Vehicle Rating (GVWR) located on your vehicles identification tag.

BEFORE INSTALLATION: Ensure the vehicle is on a hard level surface, the parking brake is ON, with the ignition OFF, and place chocks in front of and behind the tires to prevent the vehicle from moving.

DURING AND/OR AFTER INSTALLATION: Ensure emergency brake cables are not touching the SSI products. Secure any cables out of the way with zip ties or by re-routing. Ensure all A/C lines, brake cables, and frame are clear of contact or interference.

REV. 2.01 | AUG 2023

PART NUMBER

SSR-183-54-1



SCAN HERE: To watch a video of this installation



BEFORE YOU BEGIN

PRIMARY APPLICATIONS

- > Ford F53 4 X 2
(2011 - present)
- > Ford F53 4 X 2
(2008 - 2009)

THIS APPLICATION FITS THE FOLLOWING 24K-26K GVWR MODELS:

- > Coachmen
- > Holiday Rambler
- > Jayco
- > Tiffin
- > Winnebago

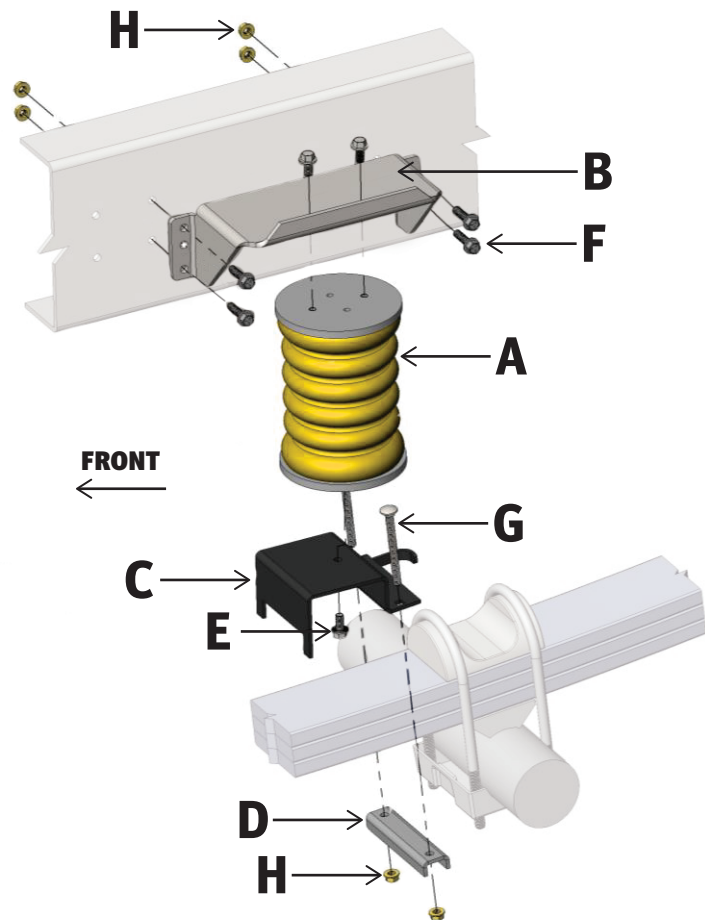
TOOLS REQUIRED

- > Floor Jack
- > Jack Stands
- > Wheel Chocks
- > 9/16" Wrench
- > Drill
- > 7/16" Drill Bit

PARTS LIST

Item	Part #	Discription	QTY
A	511401	SumoSpring	2
B	512037	Upper Frame Bracket	2
C	512108	Lower Bracket	2
D	512042	U-Bracket Strap	2
E	512207	3/8-16 x 3/4" Serrated Flange Hex Bolt	6
F	512301	3/8-16 x 1 1/2" Serrated Flange Hex Bolt	8
G	512292	3/8-16 x 5" Carriage Bolts	4
H	512302	3/8-16 Top Lock Flange Nuts	12

DIAGRAM A



DRIVER SIDE (PASSENGER SIDE SIMILAR)

Part Number: SSR-183-54-1

Product Line: SUMOSPRINGS REAR

Page 1

Questions or Concerns?

Scan here:



or visit:
superspringsinternational.com

SAFETY NOTICE: We recommend installation be done by a professional or persons with sound mechanical knowledge.

WARNING: These instructions are a general guide for installation. SuperSprings International (SSI) assumes no liability for the actual installation process. Consumers and installers should apply common automotive safety practices when raising and working on any vehicle. **Do not put yourself in a position where, if the vehicle were to move unexpectedly, you may be injured.** SSI's products are designed to improve vehicle ride quality. Do not load any vehicle beyond the manufacturer's specifications.

Never exceed the manufacturer's Gross Vehicle Rating (GVWR) located on your vehicles identification tag.

BEFORE INSTALLATION: Ensure the vehicle is on a hard level surface, the parking brake is ON, with the ignition OFF, and place chocks in front of and behind the tires to prevent the vehicle from moving.

DURING AND/OR AFTER INSTALLATION: Ensure emergency brake cables are not touching the SSI products. Secure any cables out of the way with zip ties or by re-routing. Ensure all A/C lines, brake cables, and frame are clear of contact or interference.

REV 2.02 | SEP 2023

PART NUMBER

SSR-183-54-1



INSTALLATION

1. Park vehicle on level hard surface. Engage emergency brake. Place chocks in front and behind front wheels to prevent rolling. Observe all safety precautions and wear safety glasses.
2. Raise rear of vehicle allowing the axle to hang freely. Support the frame using safety jack stands.
3. Attach Upper Frame bracket [ITEM B] to the top of the SumoSpring [ITEM A] using two 3/8-16 x 3/4" Serrated Flange Hex Bolts [ITEM E]. Attach the Lower bracket [ITEM C] to the bottom of the SumoSpring using one 3/8-16 x 3/4" Serrated Flange Hex Bolt [ITEM E] [DIAGRAM A].
4. Insert two 3/8-16 x 4" Carriage Bolts [ITEM G] into the two square openings in the Lower Bracket [ITEM C] in such a way that they straddle the factory spring-pack. Position the lower bracket so that the curved side finger captures the factory u-bolt [DIAGRAM B].
5. Secure the Lower Bracket [ITEM C] to the factory spring-pack using the U-Bracket Strap [ITEM D], two Carriage Bolts [ITEM G], and two 3/8-16 Top-Lock Nuts [ITEM H].
6. Repeat steps 3 through 5 on the opposite side of the vehicle.
7. Jack up the axle until Upper Frame Bracket [ITEM B] is in correct position on frame. Drill the two lower holes using a 7/16" drill bit exactly mid height on the frame [DIAGRAM B].
8. Insert two 3/8-16 x 1 1/2" Hex Bolts [ITEM F] and 3/8" Top-Lock Nuts [ITEM H] in lower holes [DIAGRAM B].
9. Using the Upper Bracket holes as a guide, drill two upper holes using a 7/16" drill bit (ensure clearance on all cables/service lines inside the frame prior to drilling).
10. Insert two 3/8-16 x 1 1/2" Hex Bolts [ITEM F] and 3/8" Top-Lock Nuts [ITEM H] in upper holes [DIAGRAM B].
11. Repeat steps 7 through 10 on the other side.
12. Carefully lower vehicle to the hard surface. Remove the blocks in front and back of the rear wheels.
13. Register the warranty for your SuperSprings International part. A warranty card can be found in the box your part came in.

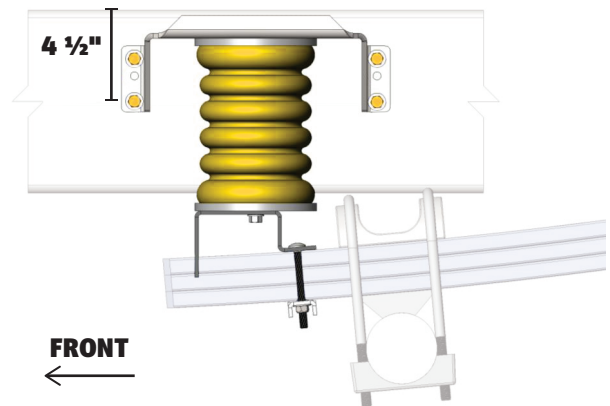


DIAGRAM B

Part Number: SSR-183-54-1

Product Line: SUMOSPRINGS REAR

Page 2

Questions or Concerns?

Scan here:



or visit:
superspringsinternational.com

SAFETY NOTICE: We recommend installation be done by a professional or persons with sound mechanical knowledge.

WARNING: These instructions are a general guide for installation. SuperSprings International (SSI) assumes no liability for the actual installation process. Consumers and installers should apply common automotive safety practices when raising and working on any vehicle. **Do not put yourself in a position where, if the vehicle were to move unexpectedly, you may be injured.** SSI's products are designed to improve vehicle ride quality. Do not load any vehicle beyond the manufacturer's specifications.

Never exceed the manufacturer's Gross Vehicle Rating (GVWR) located on your vehicles identification tag.

BEFORE INSTALLATION: Ensure the vehicle is on a hard level surface, the parking brake is ON, with the ignition OFF, and place chocks in front of and behind the tires to prevent the vehicle from moving.

DURING AND/OR AFTER INSTALLATION: Ensure emergency brake cables are not touching the SSI products. Secure any cables out of the way with zip ties or by re-routing. Ensure all A/C lines, brake cables, and frame are clear of contact or interference.

REV 2.02 | SEP 2023