

SumoSprings Front

Ford F53 Motor Home, 24K-26K GVWR, 2008-2017

Front Part #SSF-173-40-2

Drivers Side (Passenger Side Similar)

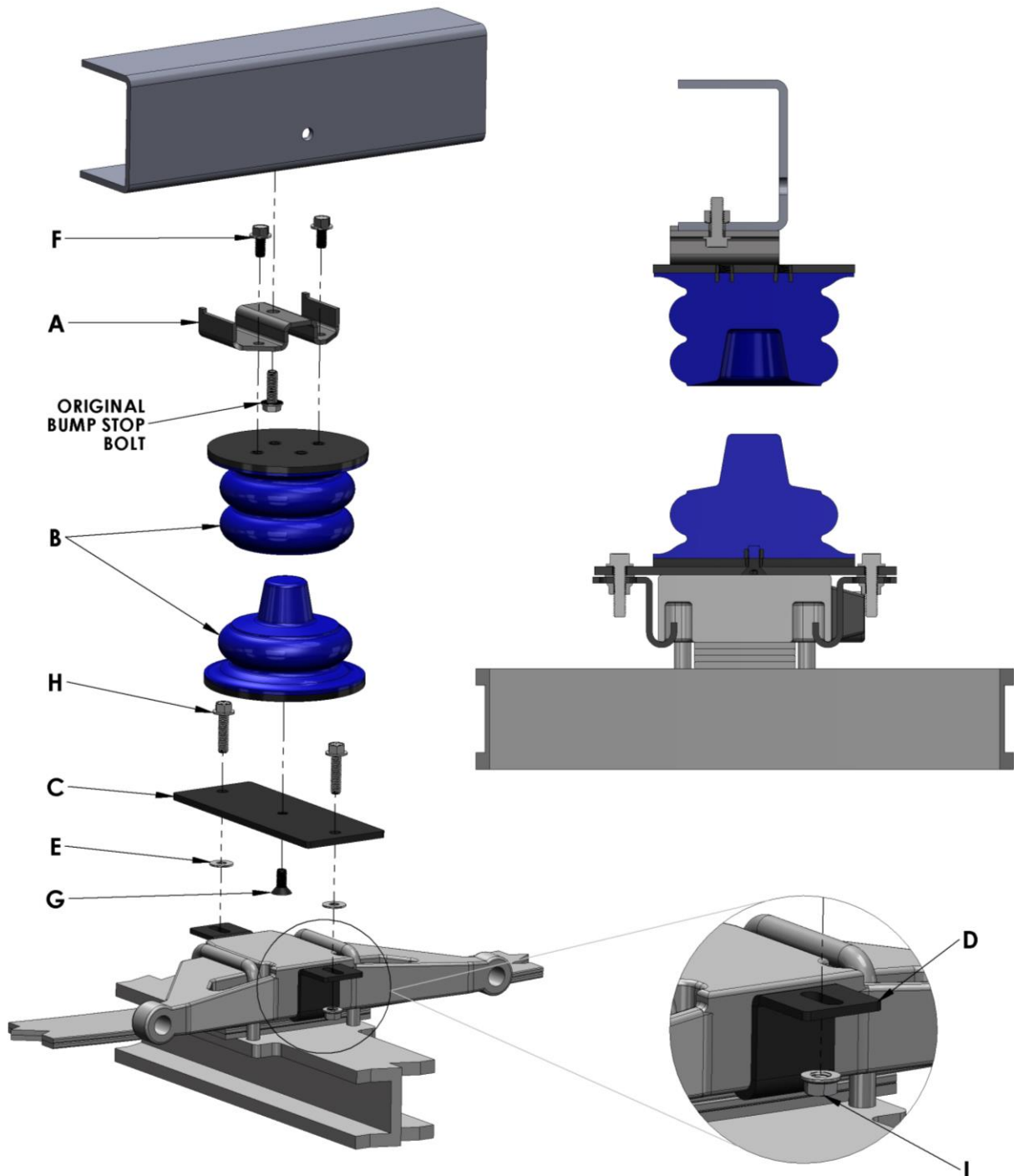




Figure 1.



Figure 2.

PARTS			
Part #	Description	Quant.	Item
512347	Upper bracket	2	A
511419	SumoSpring	2	B
512105	Lower bracket	2	C
512107	J-bracket clamp	4	D
512244	5/16" flat washers	4	E
512207	3/8-16 x 3/4" serrated flange hex bolt	4	F
512245	3/8-16 x 7/8" flat head allen bolt	2	G
512301	3/8-16 x 1.5" serrated flange hex bolt	4	H
512302	3/8-16 locking flange nut	4	I

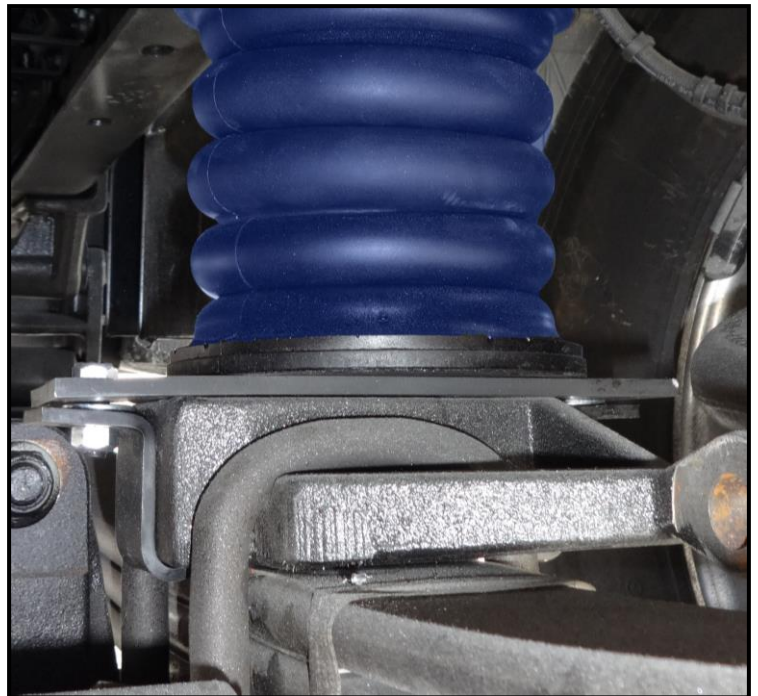


Figure 3.

TOOLS	
Floor Jack	1
Jack stands	2
Wheel blocks	4
9/16" wrench	2
7/32" allen wrench	1
15mm wrench	1
13mm socket, extension, and ratchet	1

Installation Instructions

- 1) Park vehicle on level hard surface. Engage emergency brake. Place blocks in front and behind rear wheels to prevent rolling. Observe all safety precautions and wear safety glasses.
- 2) Raise front of vehicle using the front leveling jacks to sufficient height to allow the assembly to be installed. Support the frame using safety jack stands.
- 3) Remove the factory bump-stop using a 13mm socket and extension on the bolt and 15mm wrench on the nut. Save the factory hardware for installation of upper bracket.
(Passenger side: Only remove the bolt. The nut is welded inside the frame)
- 4) Remove the lower bracket (item C), upper bracket (item A), and SumoSpring (item B) from the box. Insert two 3/8-16 flanged hex bolt (item F) into outside holes of the upper bracket (item A) and allow to hang freely. Using the factory bump stop bolt and nut, attach the upper bracket to the bottom of the frame in the same position as the factory bump stop as seen figure 1.
- 5) Bolt upper half of the SumoSpring (item B) to the upper bracket using the previously installed bolts and tighten securely with a wrench as seen in figure 2.
- 6) Attach the lower bracket (item C) to the bottom half of the SumoSpring in the correct orientation using a single 3/8-16 x 7/8" flat head cap screw (item G). Please note that the lower bracket must be positioned so that the center hole is offset outward toward the wheel as seen in the diagram on page 1.
- 7) Place the assembly on the factory spring plate ensuring orientation is correct as seen on page 1.
- 8) Attach two J-bracket clamps (item D) to the lower bracket (item C) after hooking them under the shock mount/spring plate using the two 3/8-16 x 1.5" flange hex bolt (item H), two 5/16" washers (item E) and two 3/8" flange nuts (item I) as seen in figure 3.
NOTE: Be sure to place one 5/16 washer (item E) between each of the J-bracket clamps (item D) and the lower bracket (item C) as seen above. If the lower bracket is not tight to the spring plate after the bolts are tightened then the washers may be removed to ensure a tighter fit.
- 9) Ensure top and bottom halves of SumoSpring are aligned and tighten bottom bracket bolts securely.
- 10) Repeat steps 3 through 9 on the passenger's side. NOTE: The factory bump stop on the passenger side utilizes a weld-nut on the inside of the frame so only the bolt is removed.
- 11) Jack up vehicle, remove safety jack stands.
- 12) Carefully lower vehicle to the hard surface. Remove the blocks in front and back of the rear wheels.
- 13) Release emergency brake.
- 14) Fill out warranty card and send to SuperSprings. The warranty card is on the reverse side of this page.

Important Notice

- 1) For easy installation please read instructions completely first and have all necessary tools available.
- 2) We recommend that this installation be done by a professional or persons with sound mechanical knowledge.
- 3) SumoSprings are designed to work with the original factory springs only. If they have been replaced with aftermarket springs then please consult with SuperSprings International at 866-898-0720.
- 4) These instructions are meant as a guide for the installation of SumoSprings. SuperSprings International assumes no liability for the actual installation process. Installers should apply common automotive safety practices when raising, lowering and working on vehicles.
- 5) SumoSprings are designed to enhance the vehicles load carrying performance and road handling however it does not authorize (or recommend) loading beyond the manufacturer's GVWR specifications.
- 6) For technical support contact SuperSprings International at 866-898-0720.

To prevent damage to the vehicle and to ensure safety, do not exceed the maximum load recommended by the vehicles manufacturer (GVWR).